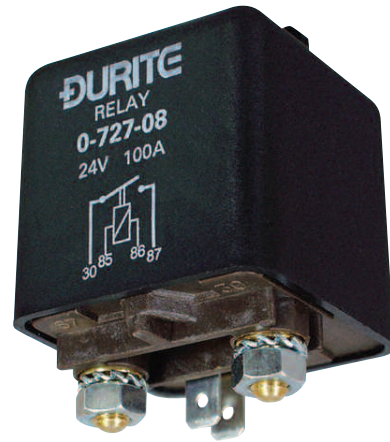


auto electrical parts

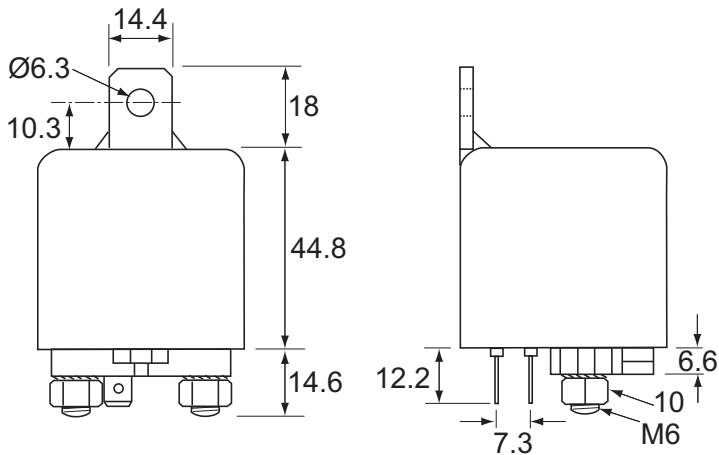
Technical Information Sheet

Part No. 0-727-18

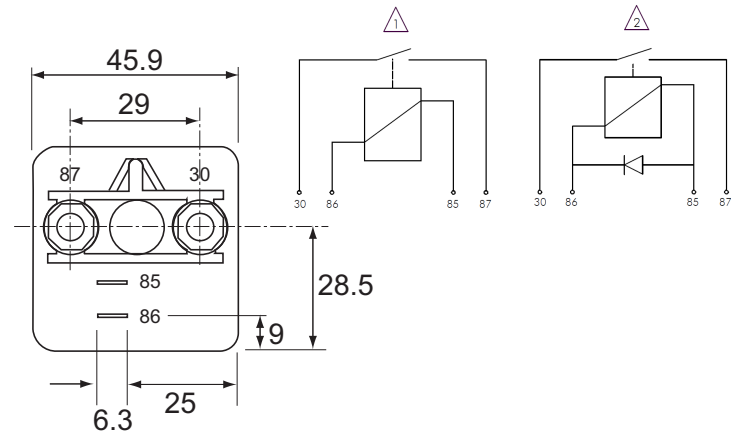
Extra heavy duty make and break relay. 12 volt, 120 amp, with bracket. 2 x 6.3mm terminal and 2 x M6 stud.



Technical Drawing (not to scale)



Circuit Diagram



Specification

| | |
|-----------------------|--|
| Type | Make and break relay |
| Voltage | 12 volt dc |
| Current | 120 amp (continuous) 180 amp (intermittant) |
| Excitation voltage | 7.2 volt |
| Coil dropout voltage | 3.8 volt |
| Coil current | 0.3 amp |
| Coil resistance | 40 ±5% |
| Terminal voltage drop | 0.2 - 0.3 volt |
| M6 Stud | Brass |
| Torque | 5 N/m (maximum) |
| Case material | Nylon PA6 with 15% Glass Fibre |
| Operating temp range | -30°C to +80°C |
| Storage temp range | -40°C to +85°C |
| Operating life | 5 x 10 ⁴ (electrical) |
| Weight | 96g |
| Dimensions | l 45.9 x w 45.9 x h 62.8mm (excluding terminals) |

The information contained in this document is correct to the best of our knowledge at the time of printing. However, specifications may change at any time without notice.